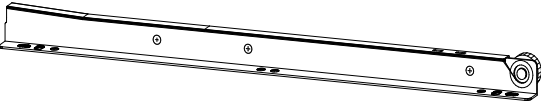
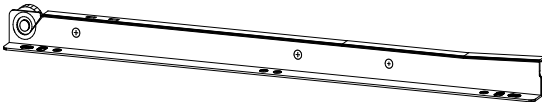
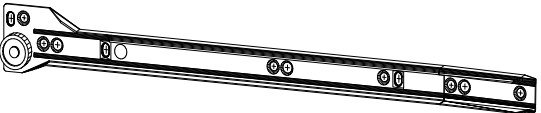
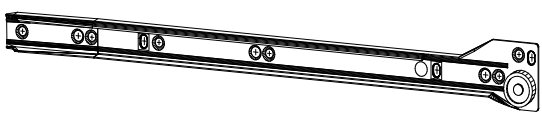



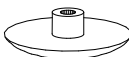


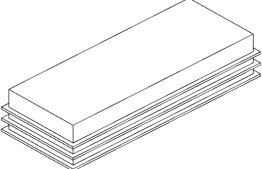
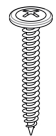



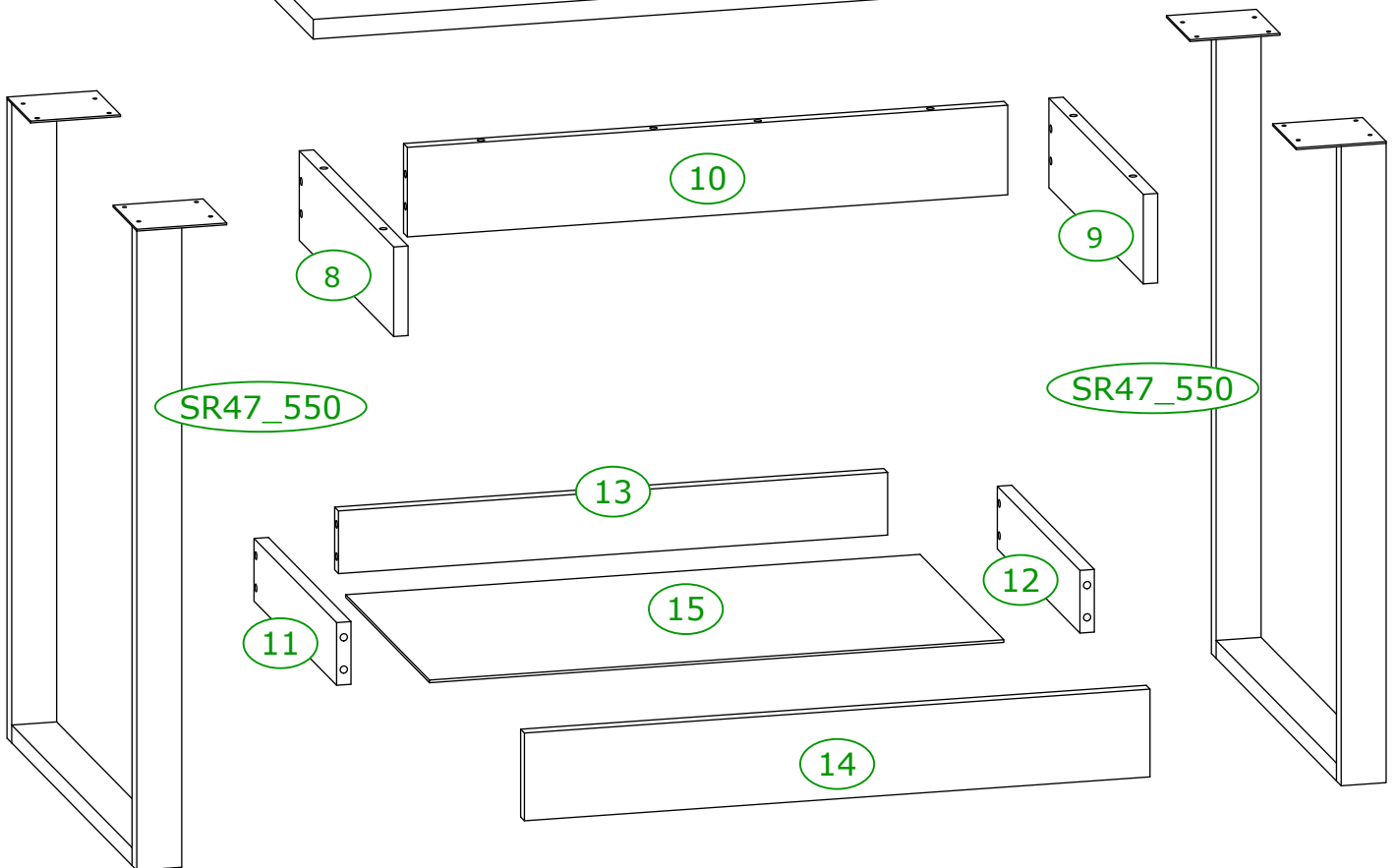
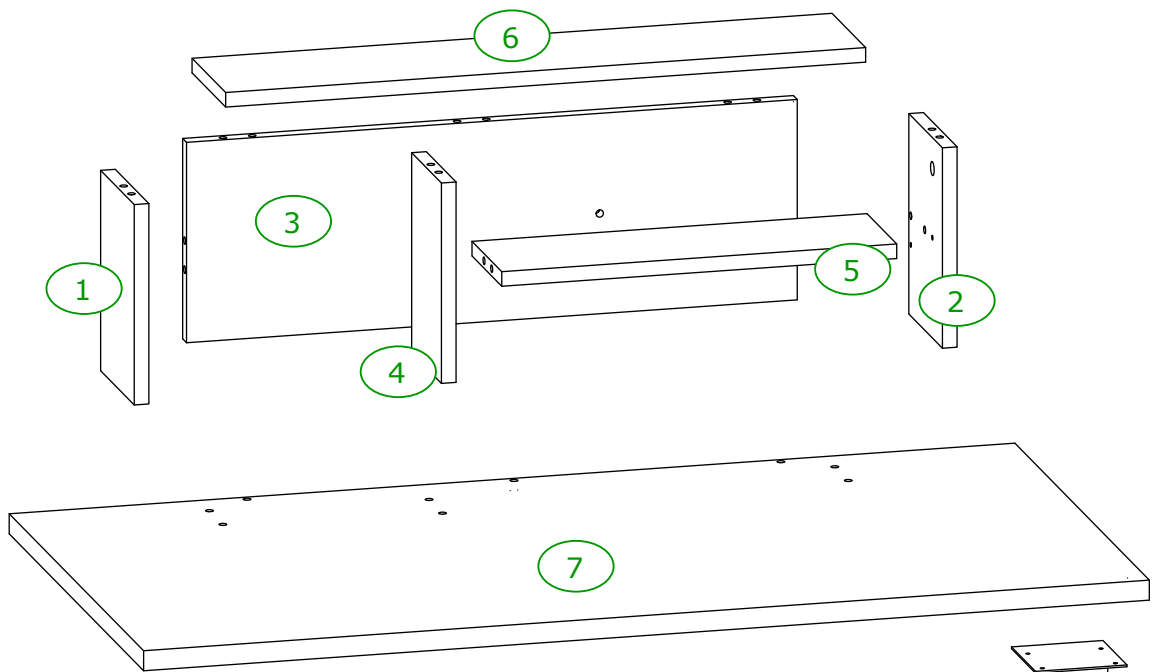

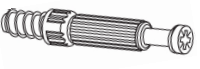

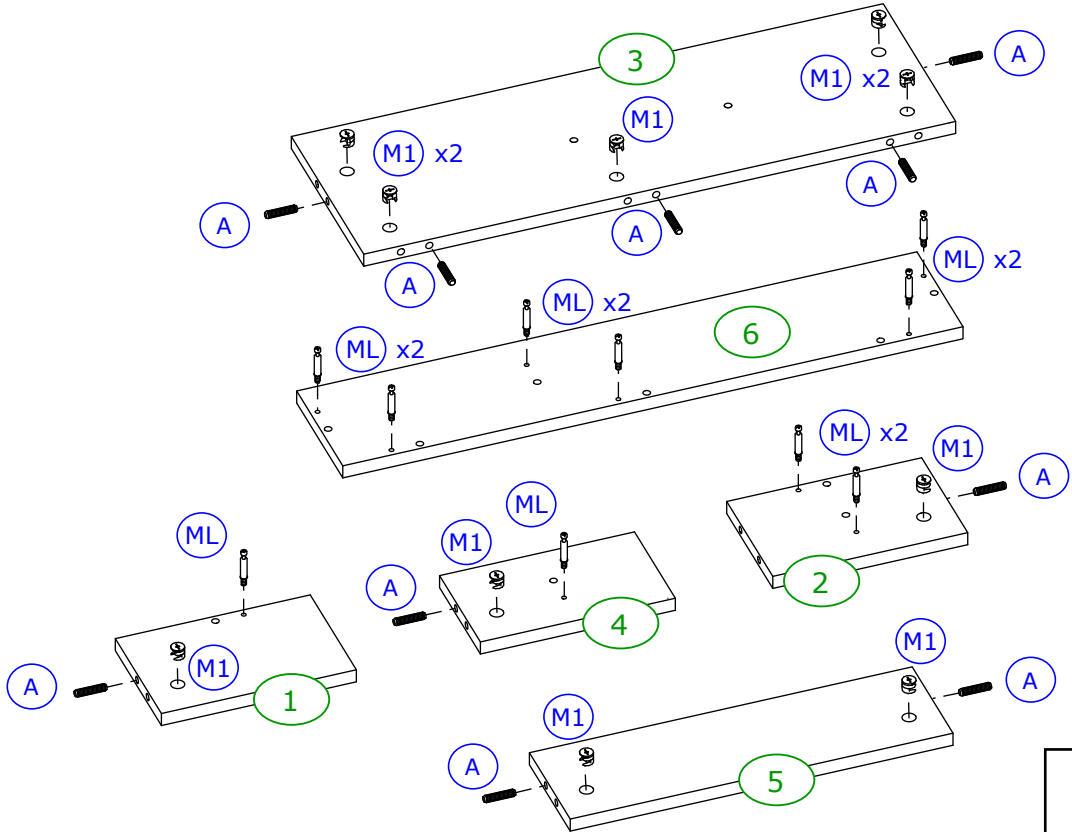


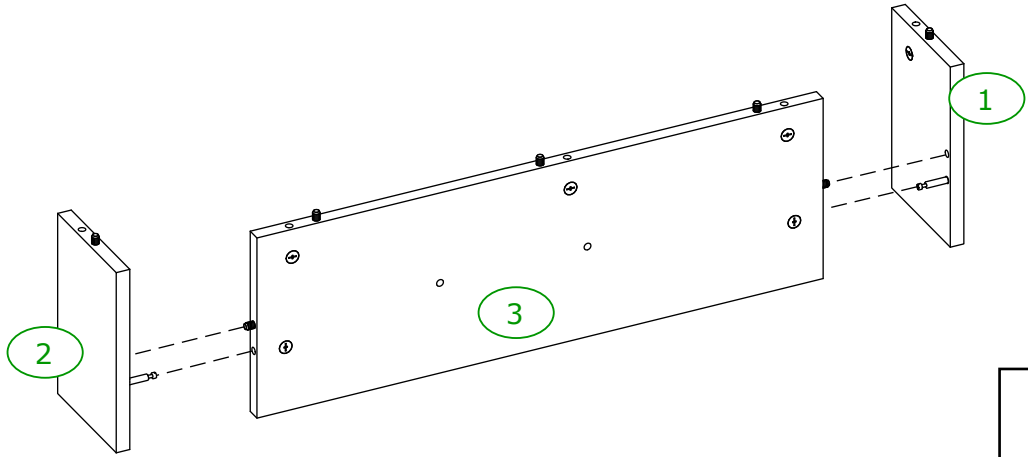
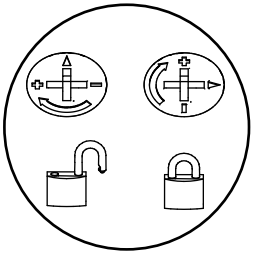
T  1 x L 350	I  1 x L 350				
B  1 x L 350	C  1 x L 350				
A 18 x  8 x 35	ML 22 x 	M1 22 x 	MZ 22 x 	D 19 x 	K 4 x  3 x 25
SR47 2 x  SRz x2  SRW1 x8	M 4 x 	G 11 x 	DZ 4 x 		



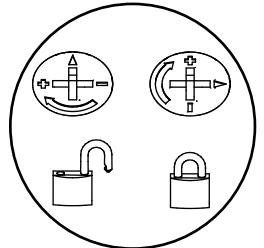
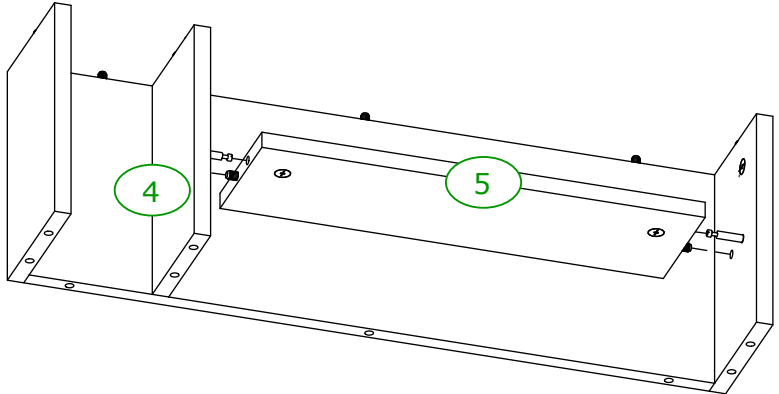
A	10 x
	
ML	8 x 35 10 x
	
M1	10 x
	



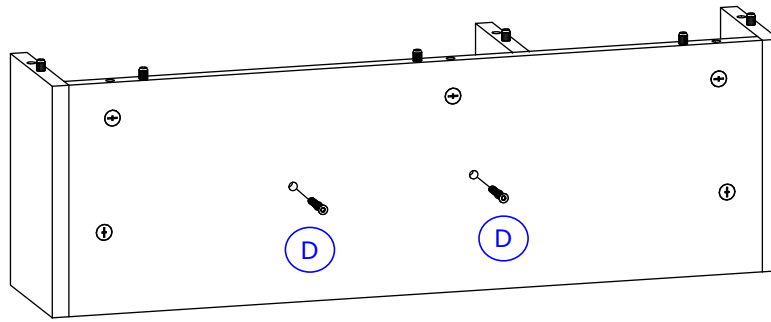
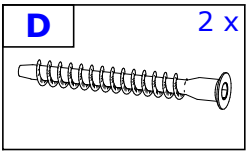
1



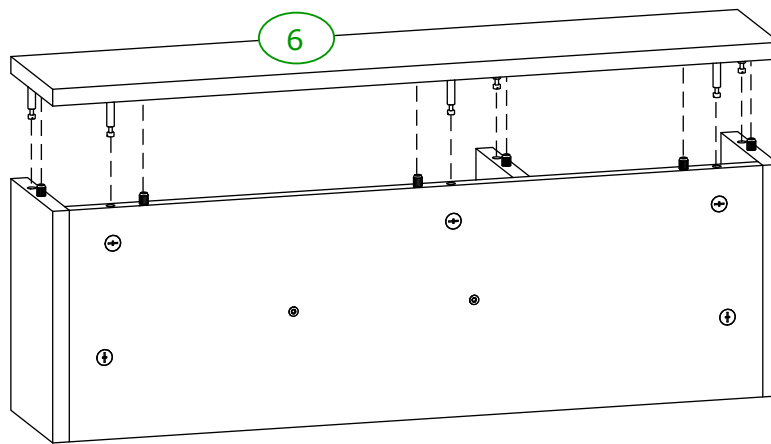
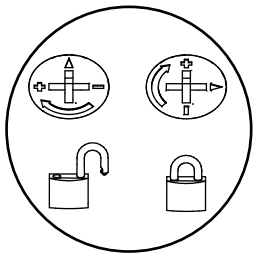
2



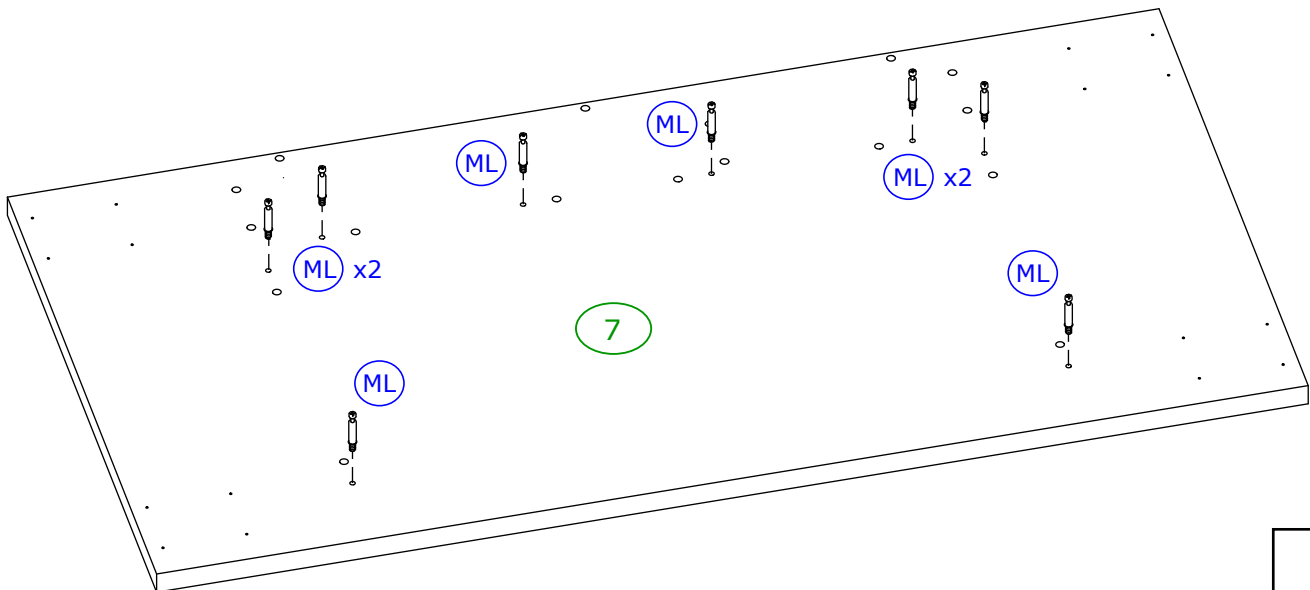
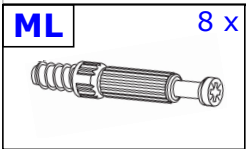
3



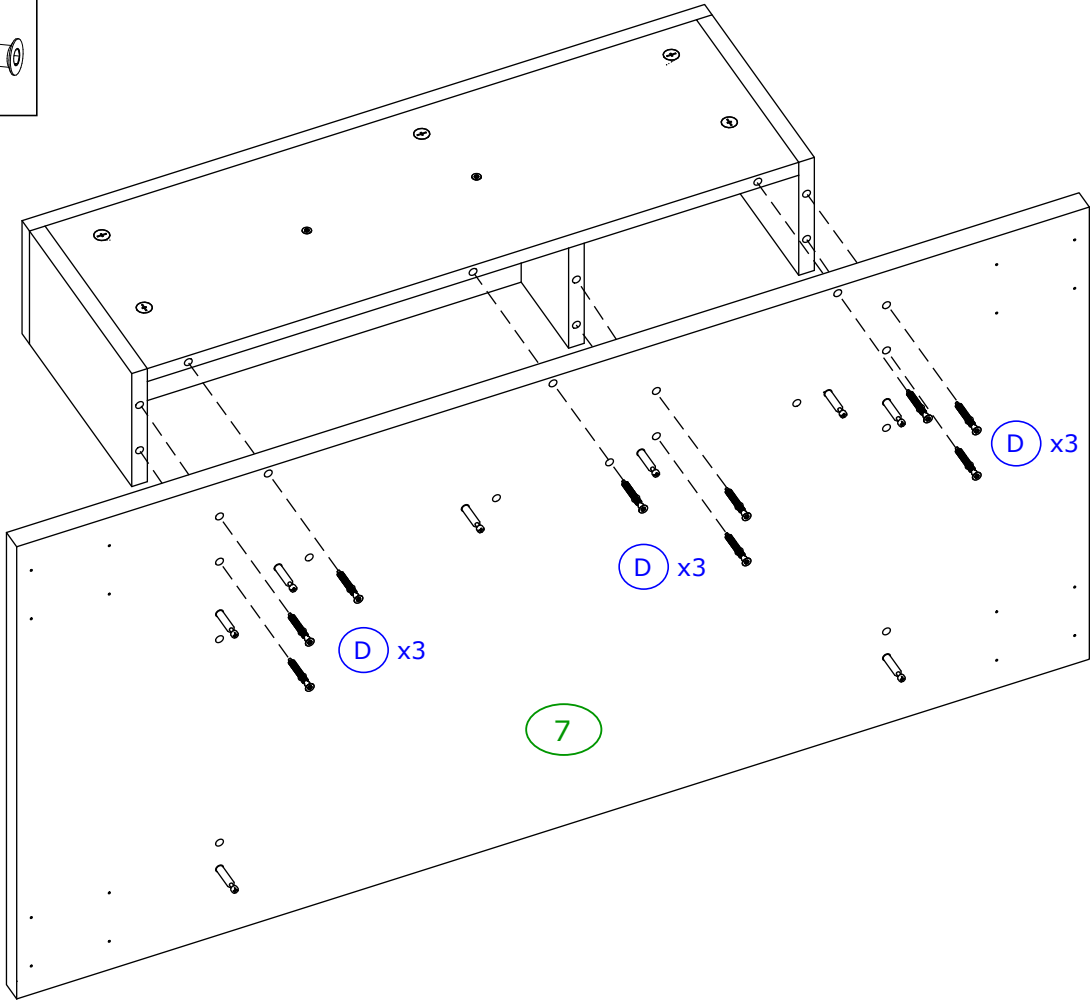
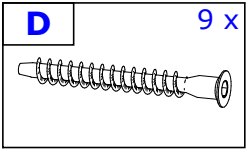
4



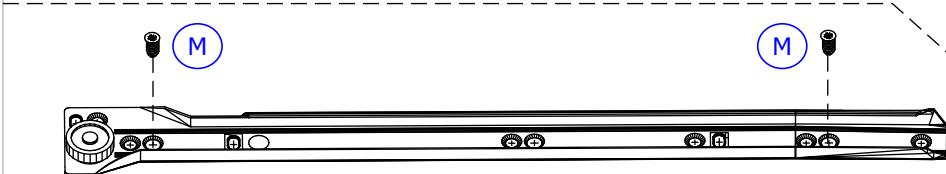
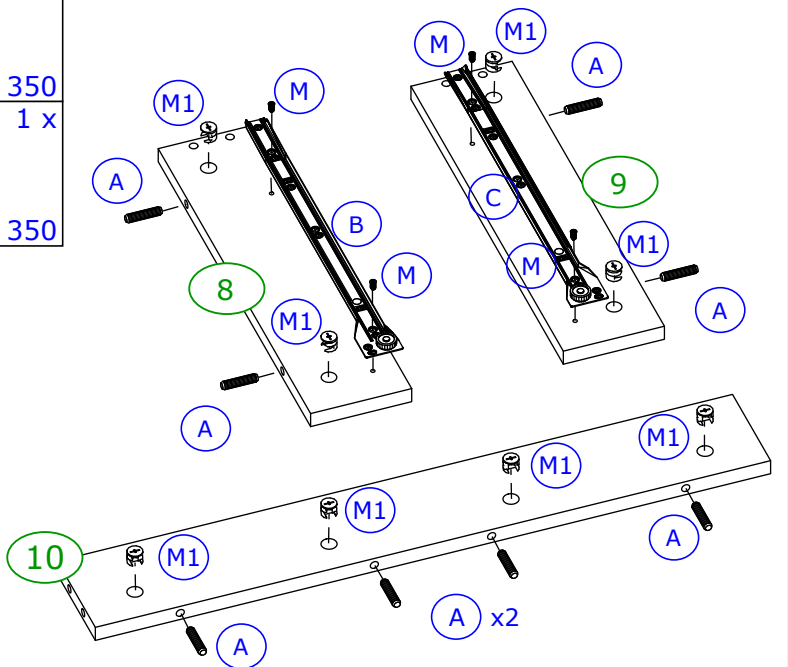
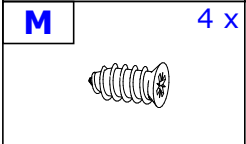
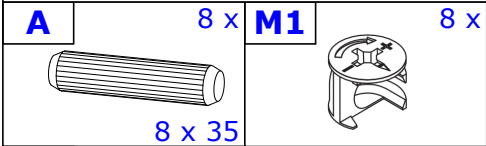
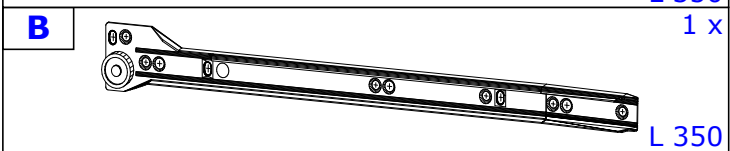
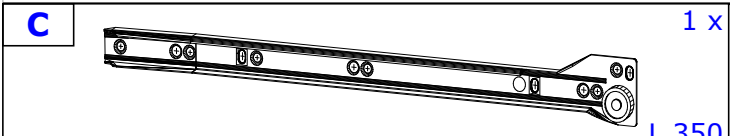
5



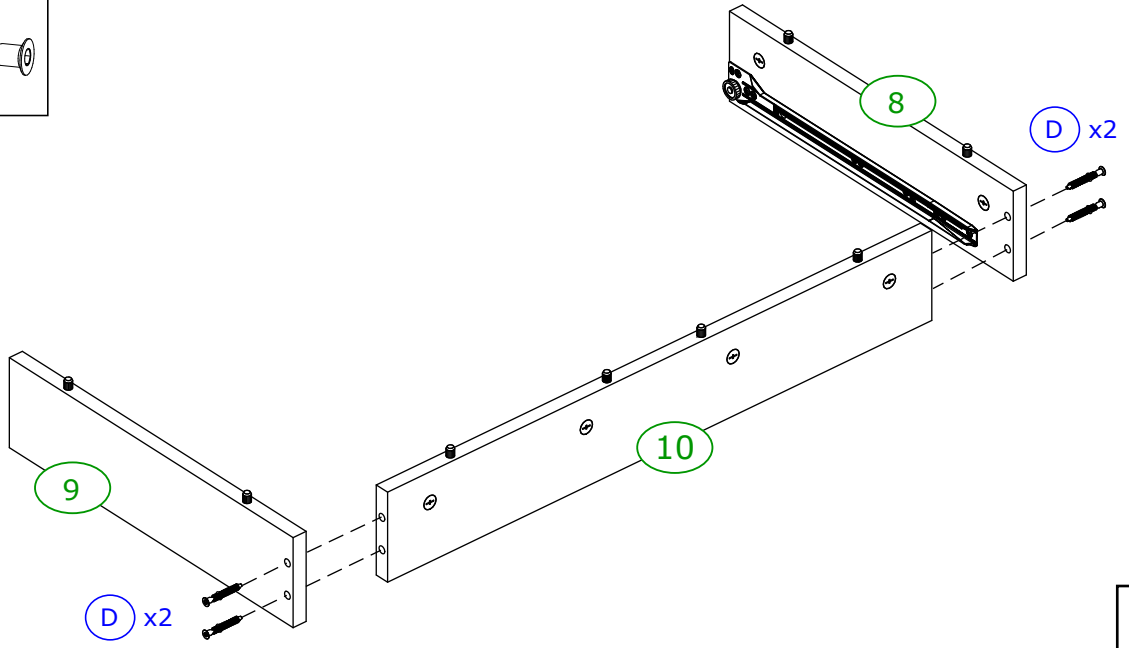
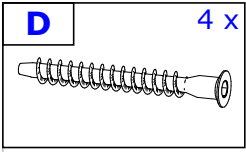
6



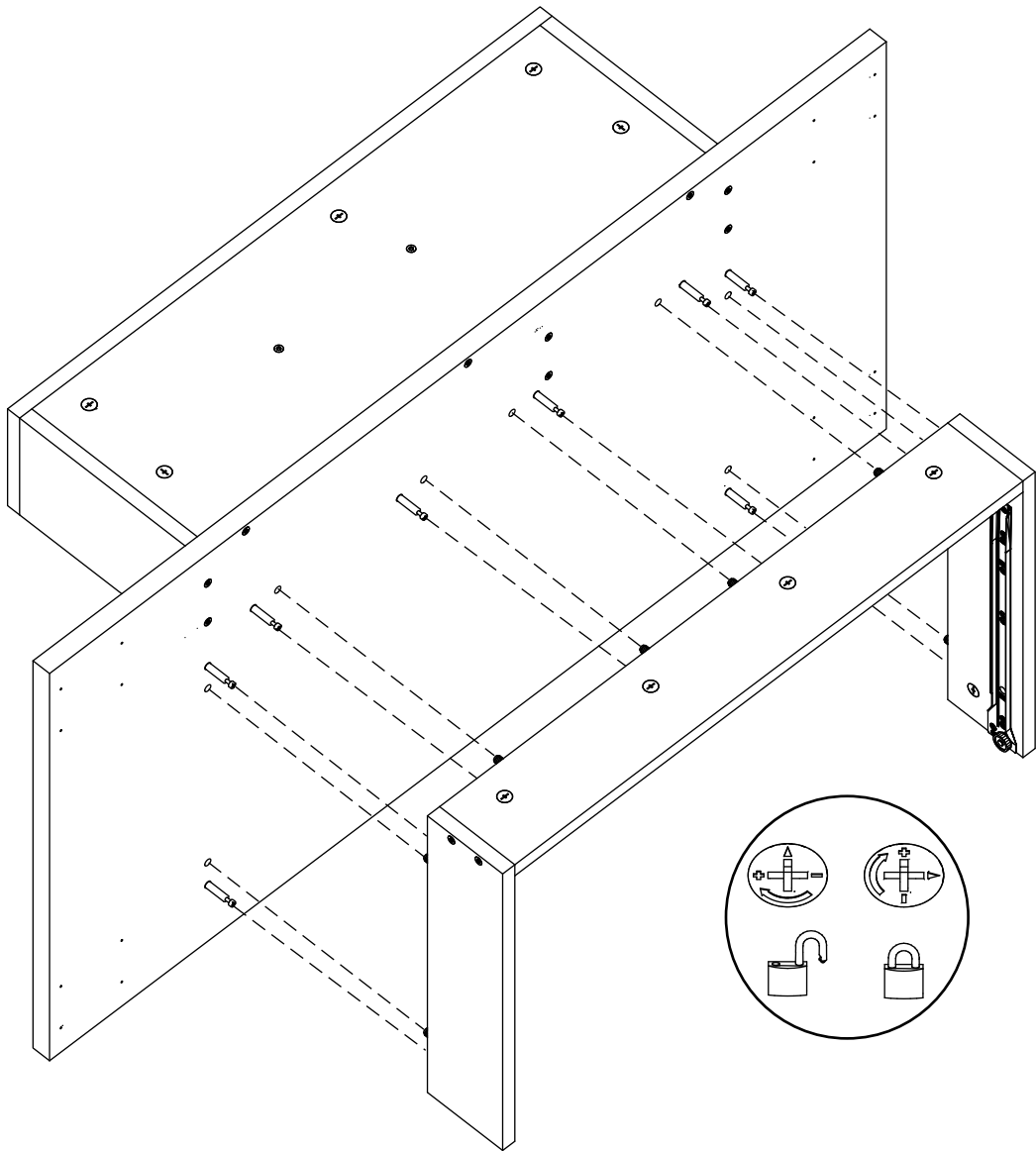
7



8



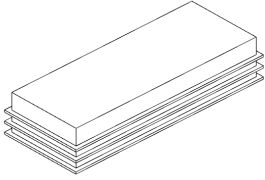
9



10

SR47

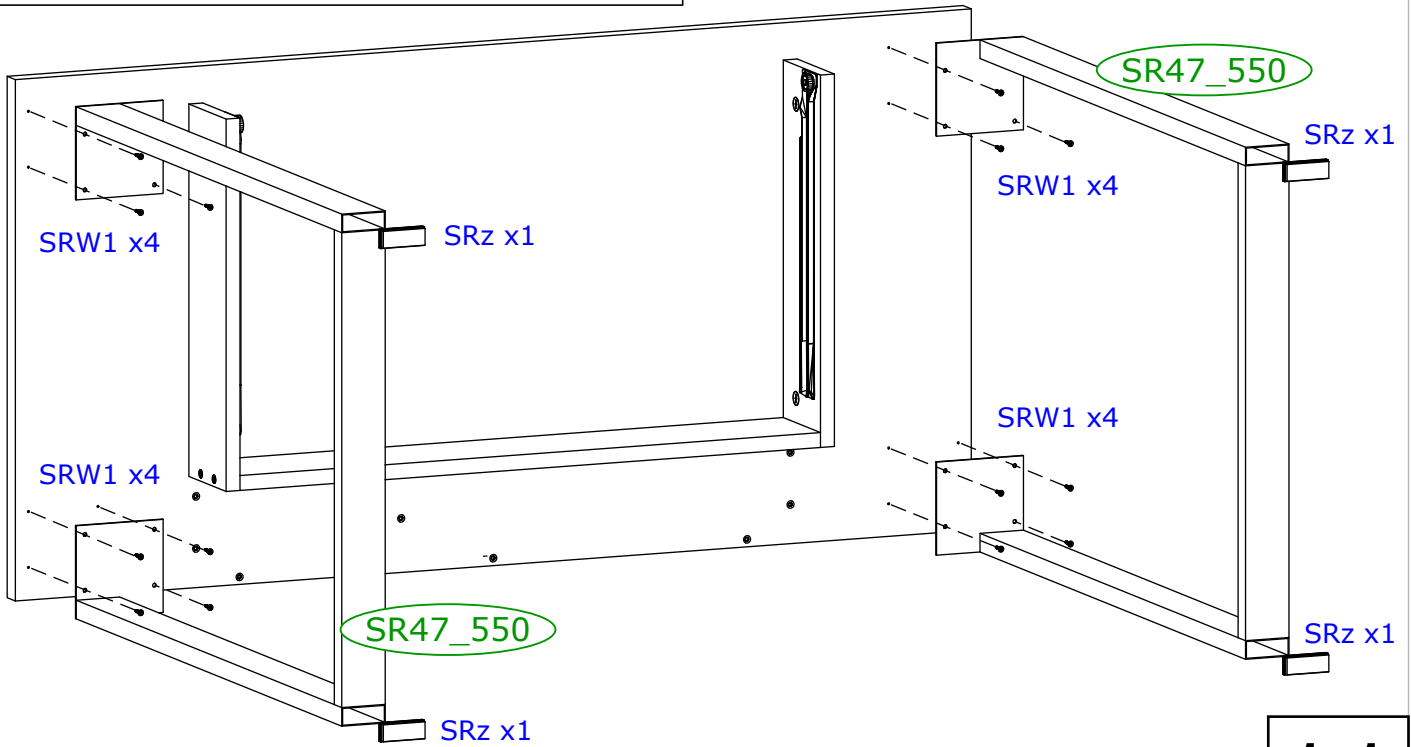
2 x



SRz x2



SRW1 x8



11

ML

4 x

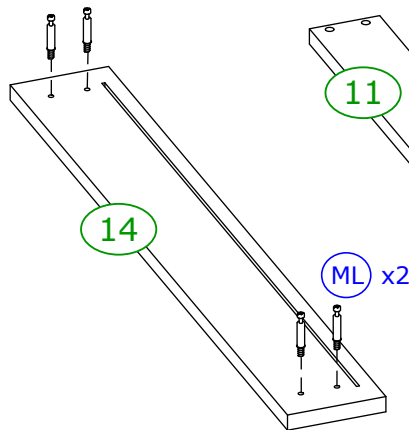


M1

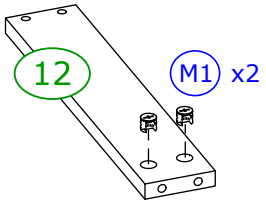
4 x



ML x2



M1 x2



ML x2

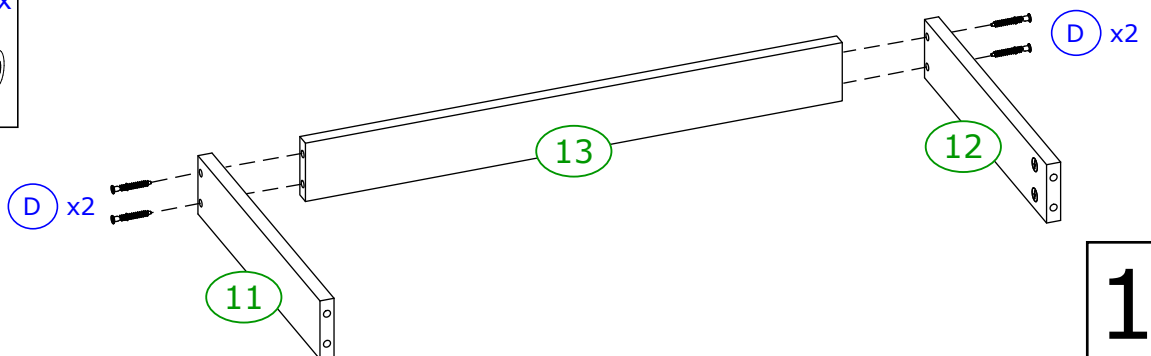
12

D

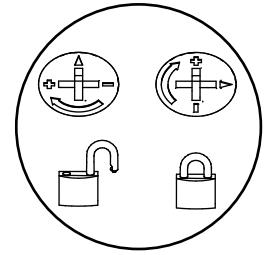
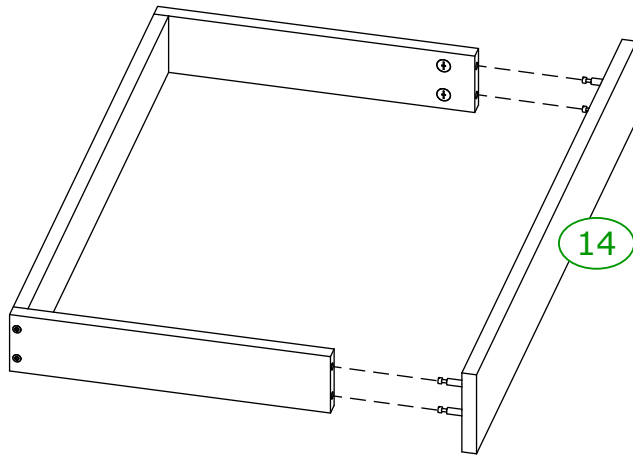
4 x



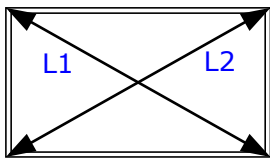
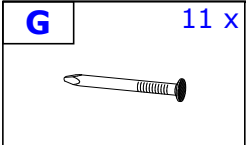
D x2



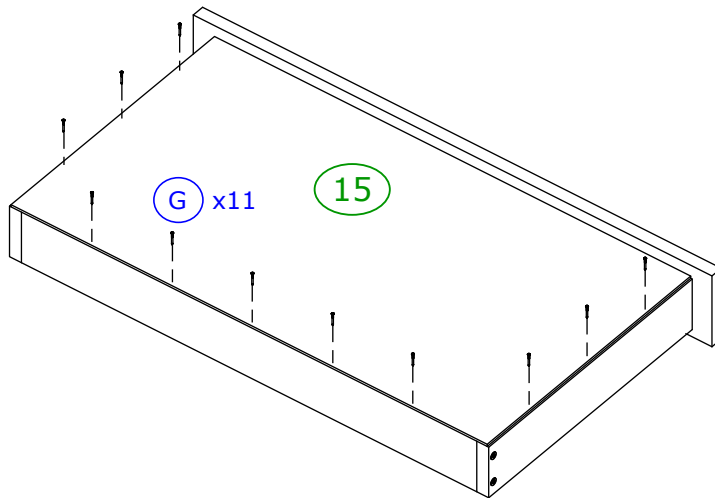
13



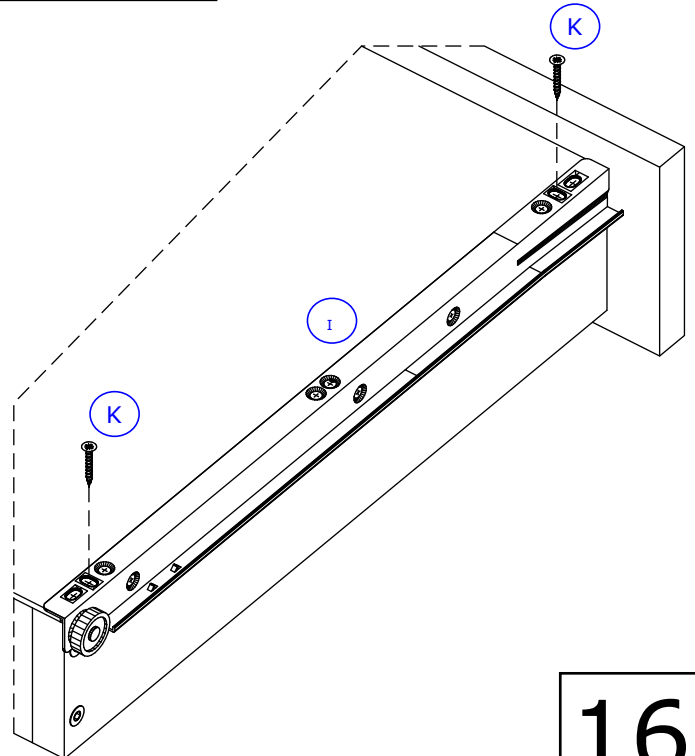
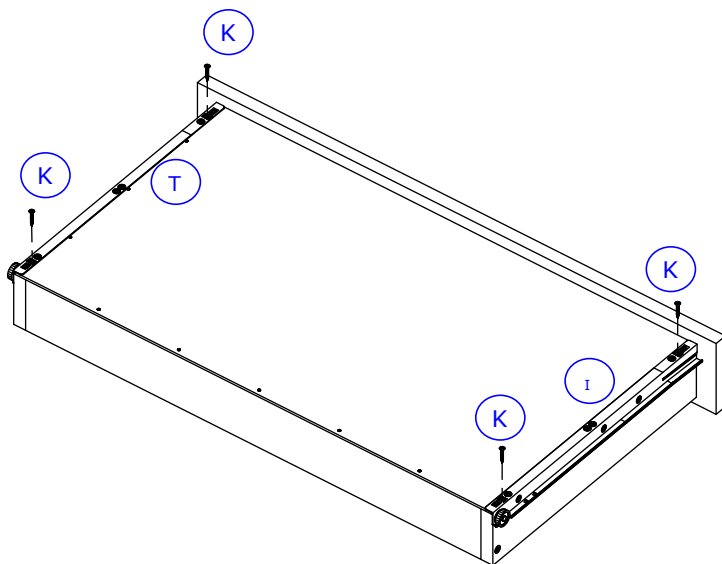
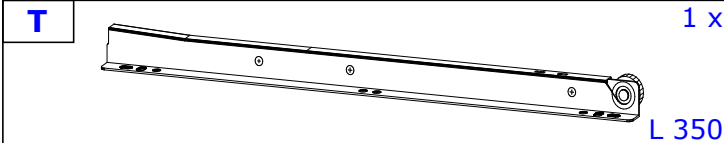
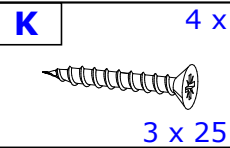
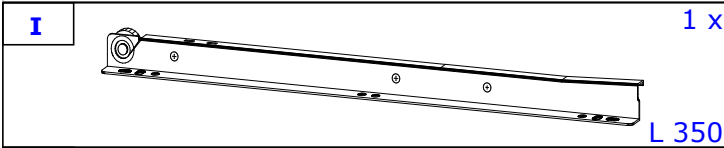
14



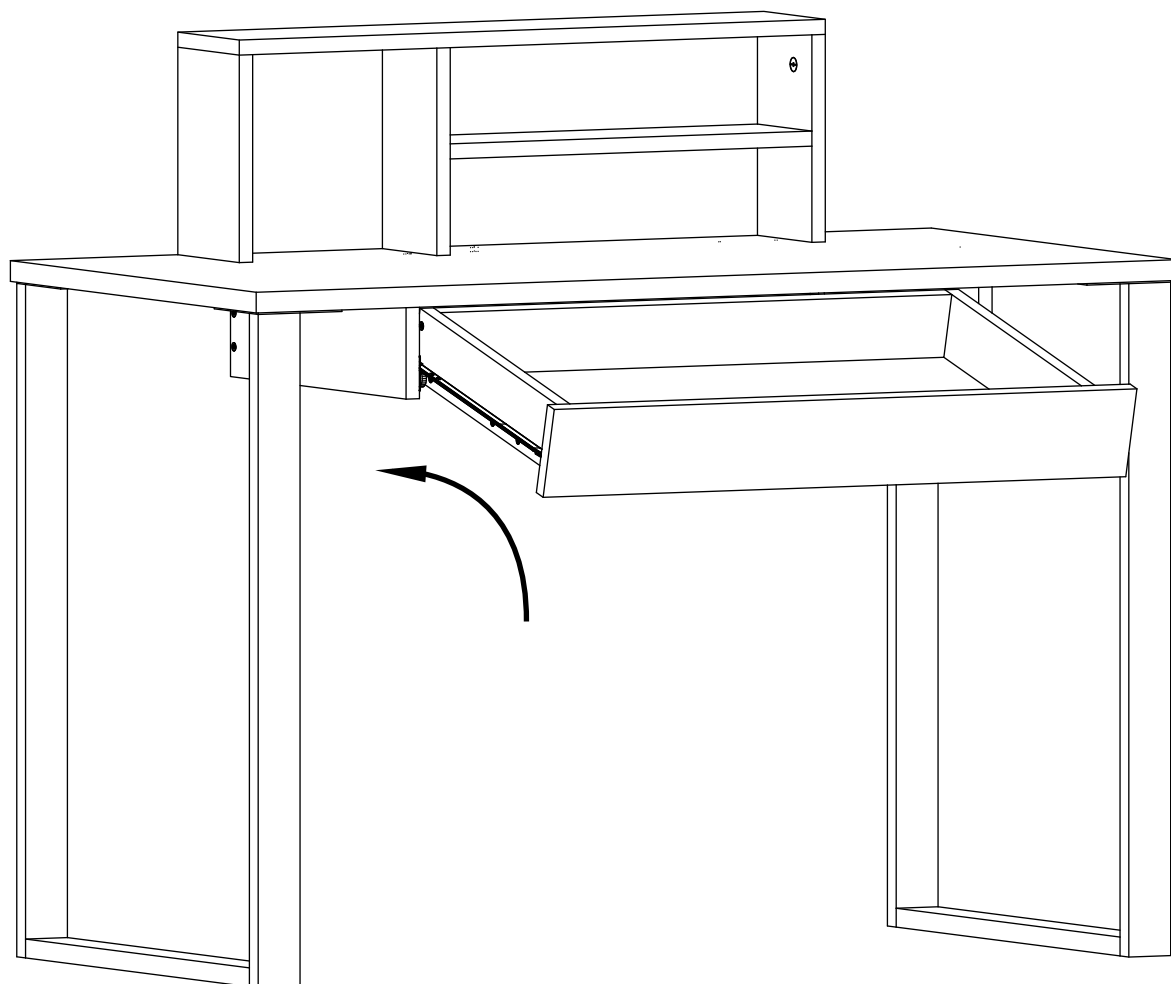
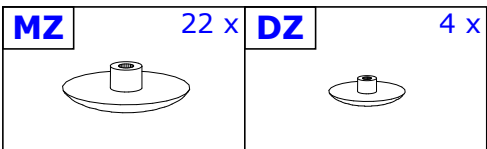
L1=L2



15



16



17